



48 x 48mm

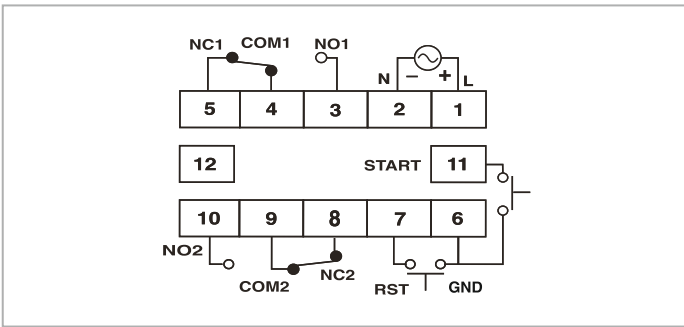
### Features :

- ▶ 3+3 digits, 7 Segment LED, Dual display
- ▶ Multifunction, Multi-range Timer
- ▶ Single set point
- ▶ Compact size

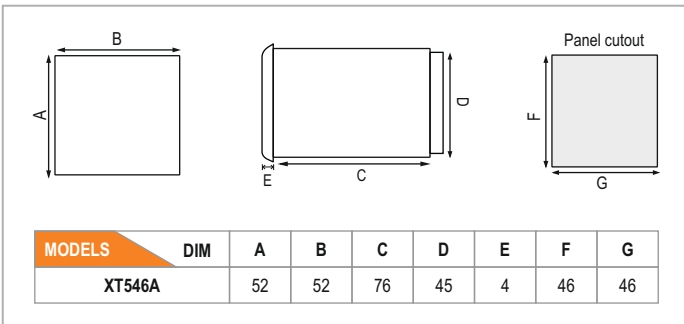
## Technical specifications

Display specifications	
Display	3+3 digits, 7 segment LED, Dual display Upper display : White Lower display : Green
LED indication	Relay: R, Seconds (S), Minutes (M), Hours (H)
Input specifications	
Accuracy	Setting : $\pm 0.05\%$ of set time or 50msec (Whichever is greater), Repeat : $\pm 0.05\%$
Start input	Gate / Pulse (Programmable)
Output specifications	
Relay contact	2 C/O SPDT
Contact rating	5A @ 250V AC / 30V DC
Functional specifications	
Modes	ON delay, Interval, Cyclic ON first, Cyclic OFF first
Time ranges	9.99 / 99.9 / 999 sec, 9.59 min:sec, 99.9 / 999 min, 9.59 hour:min, 99.9 / 999 hr
Resolution	0.01sec
Counting direction	Up / Down (selectable)
Set point	1
Time setting	By keys on front panel
Reset	Front, Remote, On power interruption (programmable)
Memory retention	10 years
Configuration lock	Yes
Auxiliary supply specifications	
Supply voltage	90 to 270V AC / DC (50 / 60Hz)
Power consumption	5 VA max @270V AC/DC
Environment specifications	
Temperature	Operating : 0 to 50°C (32 to 122°F) Storage : -20 to 75°C (-4 to 167°F)
Humidity (non - condensing)	95% RH
Mechanical specifications	
Mounting	Panel mount
Weight	120 gms

## Terminal connections

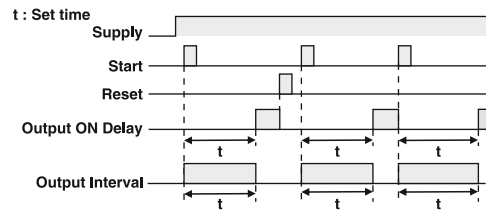


## Dimensions (All are in mm)

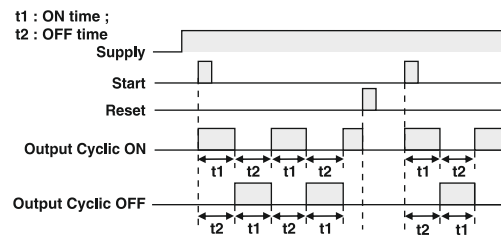


## Timing diagrams

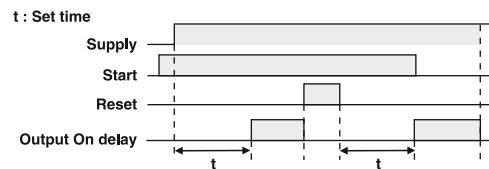
### 1. On delay, Interval modes :



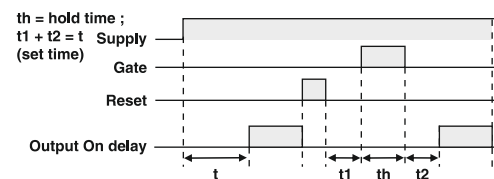
### 2. Cyclic ON first, Cyclic OFF first modes :



### Typical application of Continuous start and reset in On delay mode :



### Typical application of Gate start :



## Ordering information

Product Code	Output1	Output2	Supply voltage	Certification
XT546A	RELAY (5A)	RELAY (5A)	90 to 270V AC / DC	---