



48 x 48mm

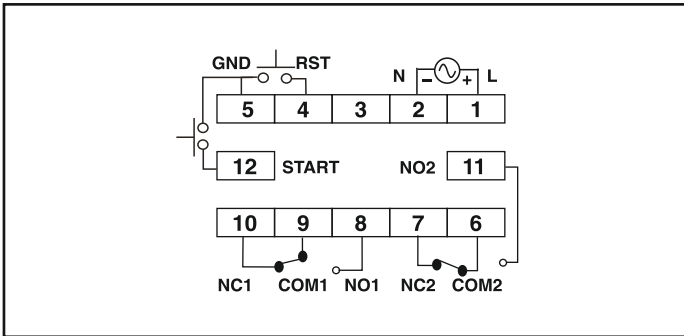
### Features :

- ▶ 3 digits, 7 segment LED Timer
- ▶ Single set point
- ▶ On delay / Interval
- ▶ 2 Relay (SPDT)
- ▶ 7 Time ranges
- ▶ Down counting

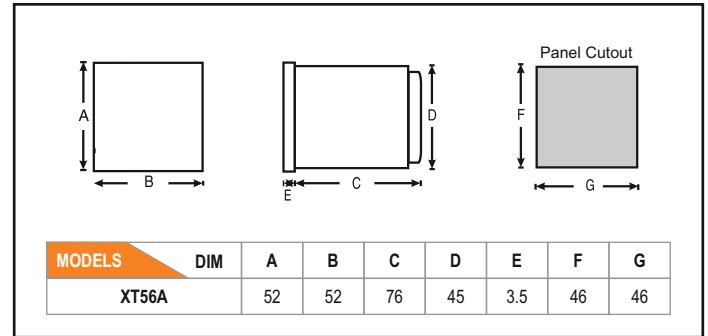
## Technical specifications

Display specifications	
Display	3 digits, 7 segment LED Timer
LED Indication	Relay status
Input specifications	
Start Input	Pulse start
Accuracy	±0.05% of F.S. or 50msec (whichever is greater)
Output specifications	
Relay contact	2 Relay (SPDT)
Contact rating	5A @ 250V AC / 30V DC
Functional specifications	
Time ranges	9.99, 99.9, 999 sec, 99.9, 999 min, 99.9, 999 hr
Modes	ON delay / Interval
Resolution	0.01sec
Counting direction	Down
Set point	1
Time setting	Pushwheel
Reset	Front, Remote, On power interruption
Memory retention	No
Auxiliary supply specifications	
Supply voltage	90 to 270V AC / DC (50 / 60Hz)
Environment specifications	
Temperature	Operating : 0 to 50°C; Storage : -5 to 75°C
Humidity (non - condensing)	5VA max @270V AC/DC
Mechanical specifications	
Mounting	Panel mount
Weight	120gms

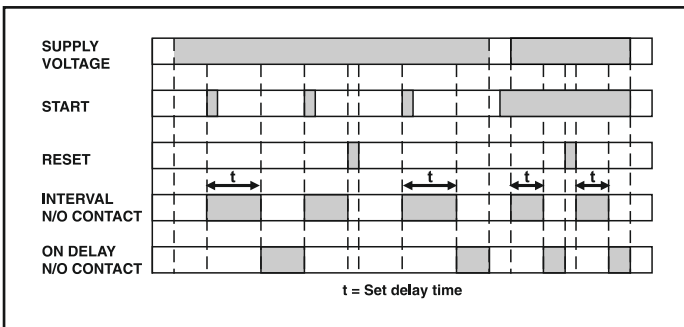
## Terminal connections



## Dimensions (All are in mm)



## Timing diagrams



## DIP Switch setting for Mode selection

MODE	SW 1		
ON DELAY	OFF		
INTERVAL	ON		
DIP SWITCH SETTINGS FOR TIME RANGE			
RANGE	SW2	SW3	SW4
9.99 sec	OFF	OFF	OFF
99.9 sec	OFF	OFF	ON
999 sec	OFF	ON	OFF
99.9 min	OFF	ON	ON
999 min	ON	OFF	OFF
99.9 hr	ON	OFF	ON
999 hr	ON	ON	ON
DIP SWITCH SETTING EXAMPLE			
 ON	Mode - INTERVAL Range - 99.9 Sec.		
<b>NOTE :</b> DIP switch for range and mode settings is on the side of the Instrument.			

## Ordering information

Product Code	Output1	Output2	Supply voltage	Certification
XT56A	RELAY (5A)	RELAY (5A)	90 to 270V AC / DC	---