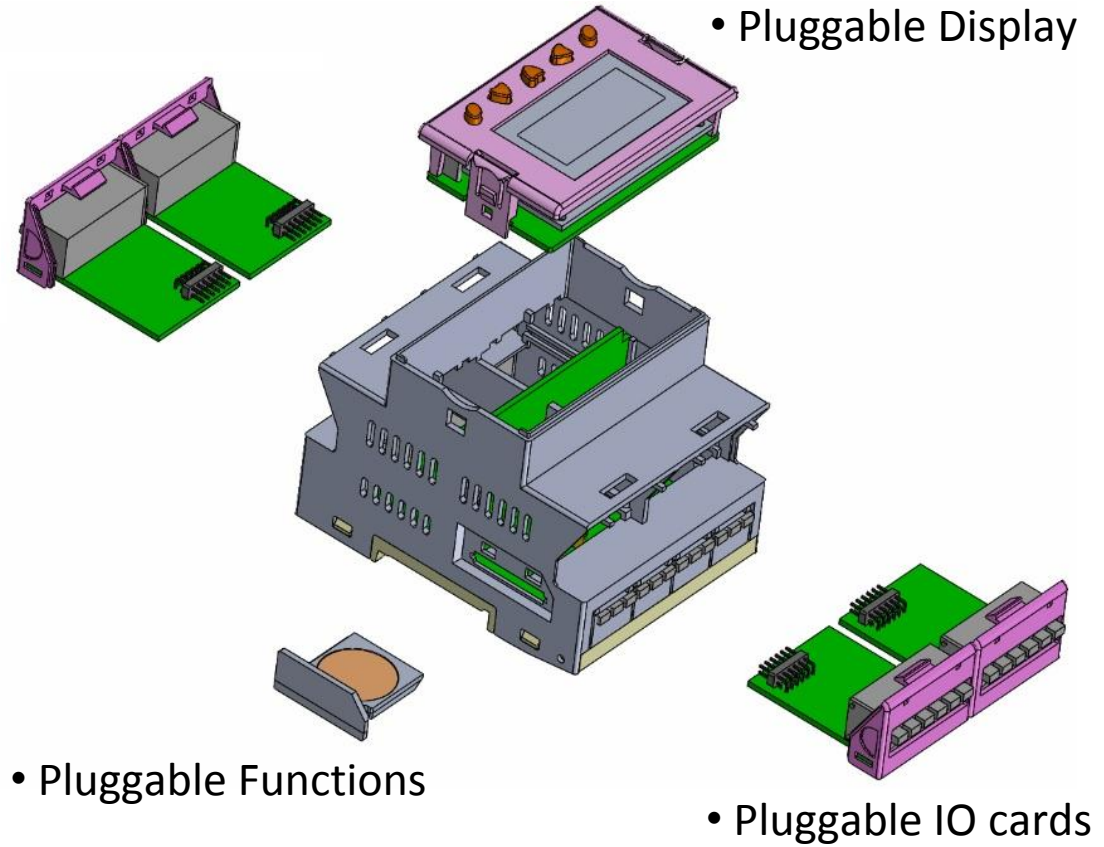
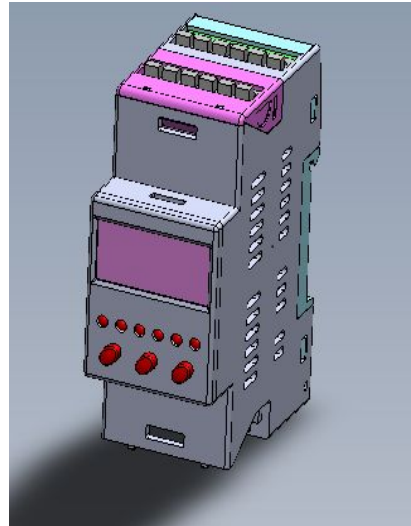
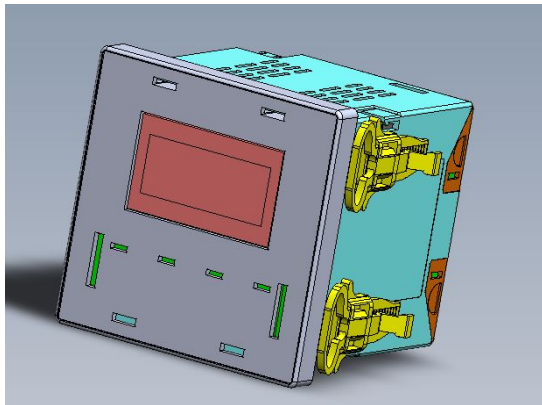
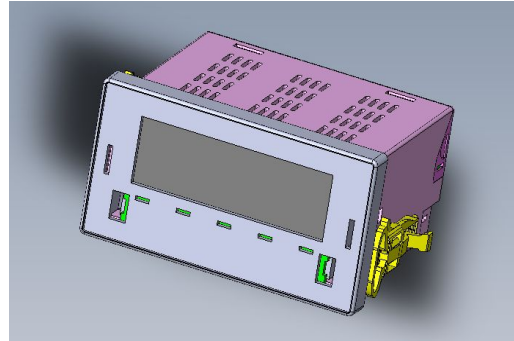
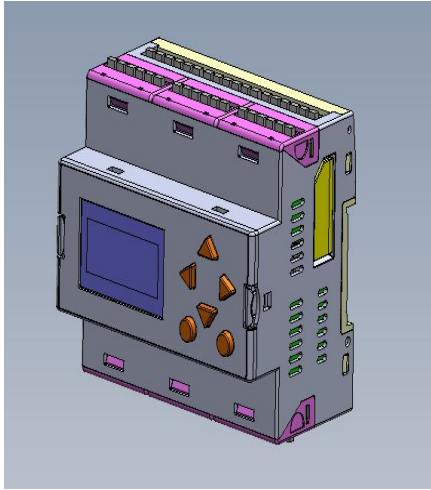


MiBRX System

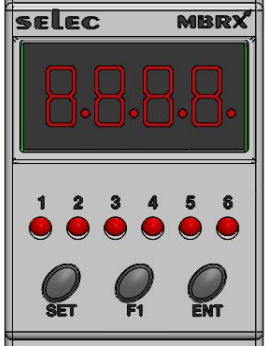
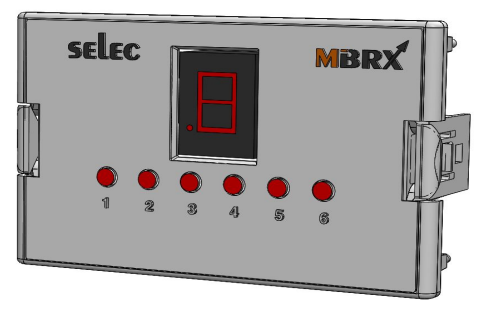



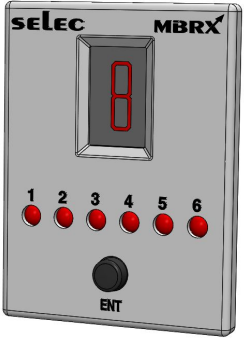

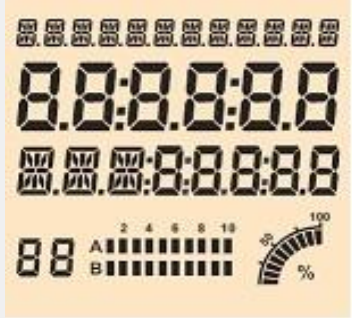
Fits to Any Application, Functions



Models	2M	4M	6M	48X96	72X72	96X96
In built IO's	3DI	5 DI, (1 DI/AI-V config.)	10 DI (2 DI/AI-V config.) 4 Relay Output	6 DI (1 DI/AI-V config.)	4 DI (1 DI/AI-V config.) 3 Relay Output	4 DI (1 DI/AI-V config.)
Functions	-	RTC, Master	RTC, Master	-	RTC	RTC, Master
Card Slots	2	4	6	2	2	6
230 AC variants	-	Y	Y	Y	Y	Y

Functions across range:

- 1 CH- Fast Input 5KHz
- 24DC variants.
- On board NTC sensor

2M	4M	6M	48X96	72X72	96X96
		<p>8X2 Char LCD 5 Keys (TACT)</p>			
		<p>-</p>	<p>-</p>	<p>7 Segment display 2 Rows x 10 Char Touch Keys</p>	

* Independent display adaptors

	Inputs	Outputs	Mixed
Digital	4, 6 (8 -32VDC)	RO – 3, 4 (5A) TO – 4 (24V, 100mA)	DI2 & RO2, DI2 & TO2
Fast	2 – 100 kHz (PNP)	2 – 100 kHz	-
Analog	Voltage – 2 (0-10VDC) Current – 2 (0-20mA) Volt / Curr – 2 NTC - 2 PTC - 2 TC – 2 RTD – 2 PT1000 – 2 Loadcell – 2 (24Bit)	Voltage – 2 Current – 2 Volt / Curr – 2	-

Special function cards:

Data-logging, Ethernet, RTC,

AC Control	1 Channel transducer
AHU control	2 Channel Temperature Controller
Battery charger	2 Channel transducer
Blood bank	Counter + Timer applications
CO2 Control	Counter applications
Environmental chambers	Customized time switch Application
Glow wire test	Logging application
length measurement and cutting	Multichannel temperature controller
Pad printing application	Multichannel FWD, Pause, REV
RH and Temp controller	Multichannel star delta
RH indicator and control	Multichannel PIC functions
salt spray apparatus	Multichannel rate counter / Totalizer
Single channel load cell	Multichannel time totalizer
Stamping machine	ON off sequential timers
Two channel load cell applications	On OFF timers
Ultrasonic cleaning	Profile control
Wrapping machine	Remote sensing and control
	Sequential timer – 3 channels onwards (PT380)
	Temperature scanner
	Timer + Counter
	Timer + Temperature
	Temperature + Counter
	Timer + Temperature + Counter